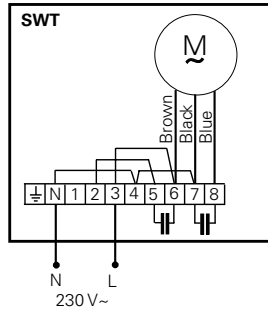


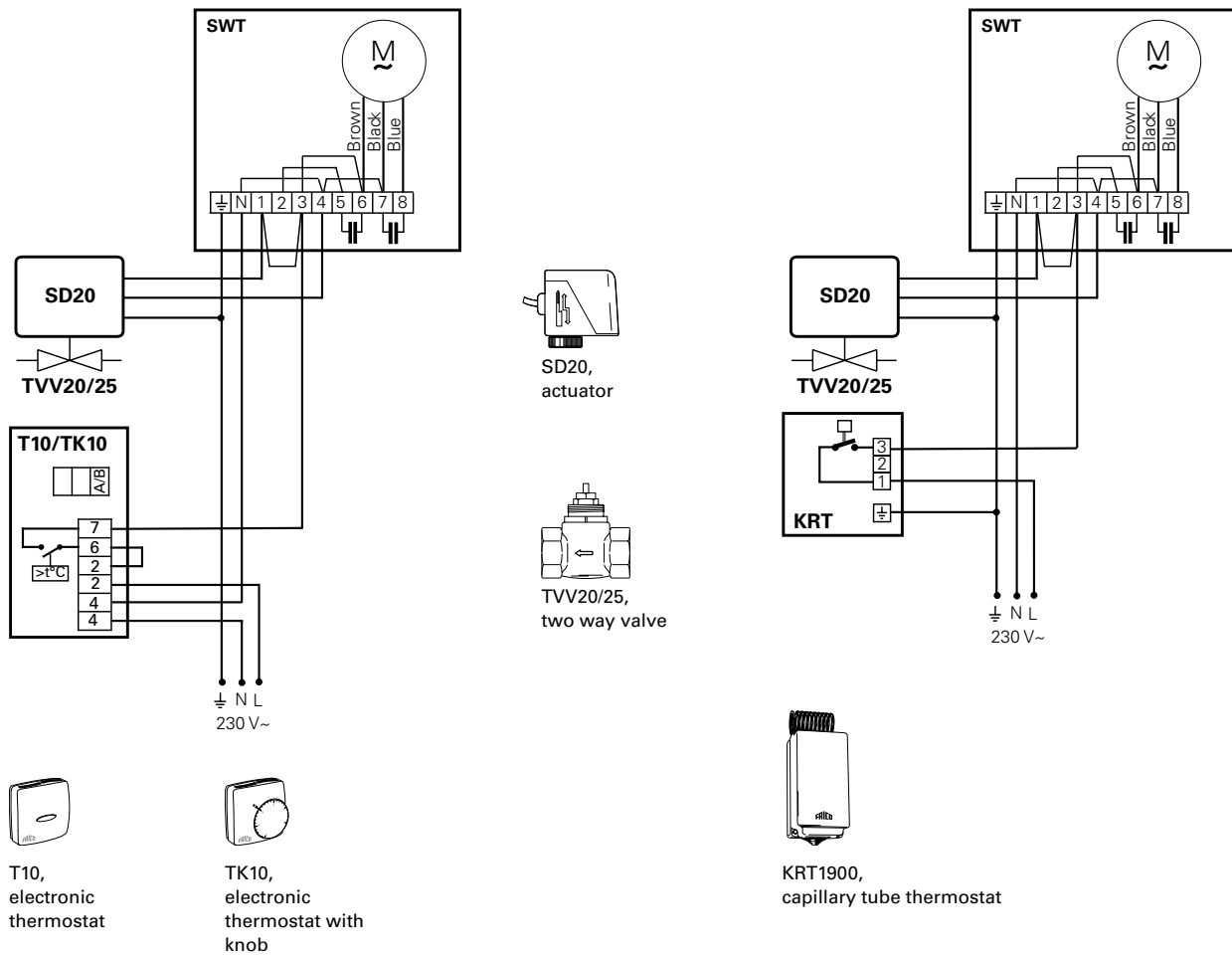
## Fan heater SWT

### Wiring diagrams

#### Internal wiring diagram



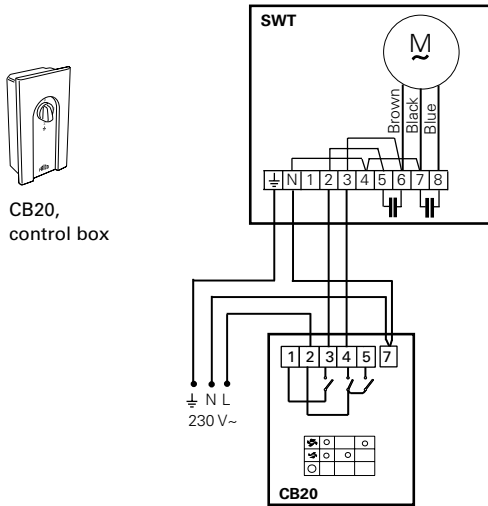
#### Control by thermostat only



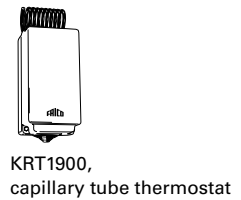
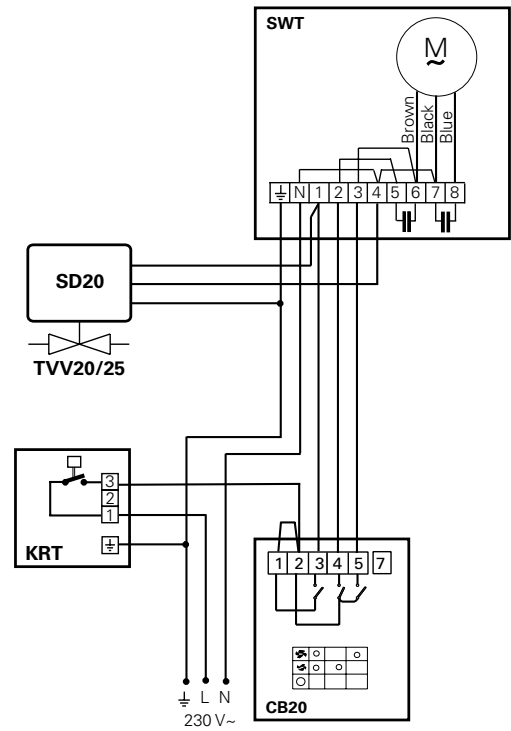
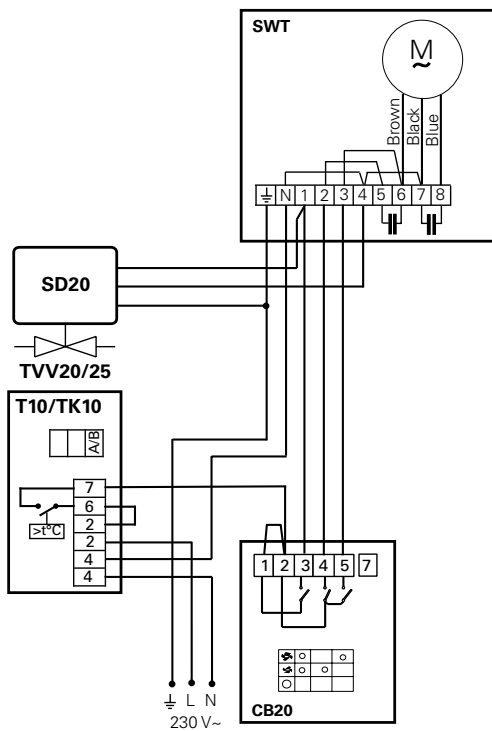
# Fan heater SWT

## Wiring diagrams

### 2-step control of airflow only

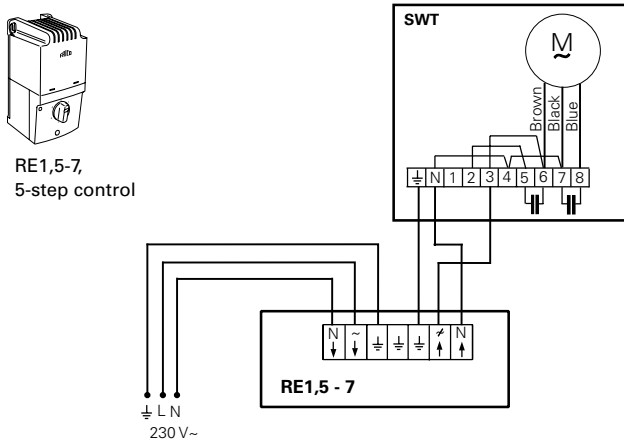


### Thermostat and 2-step control

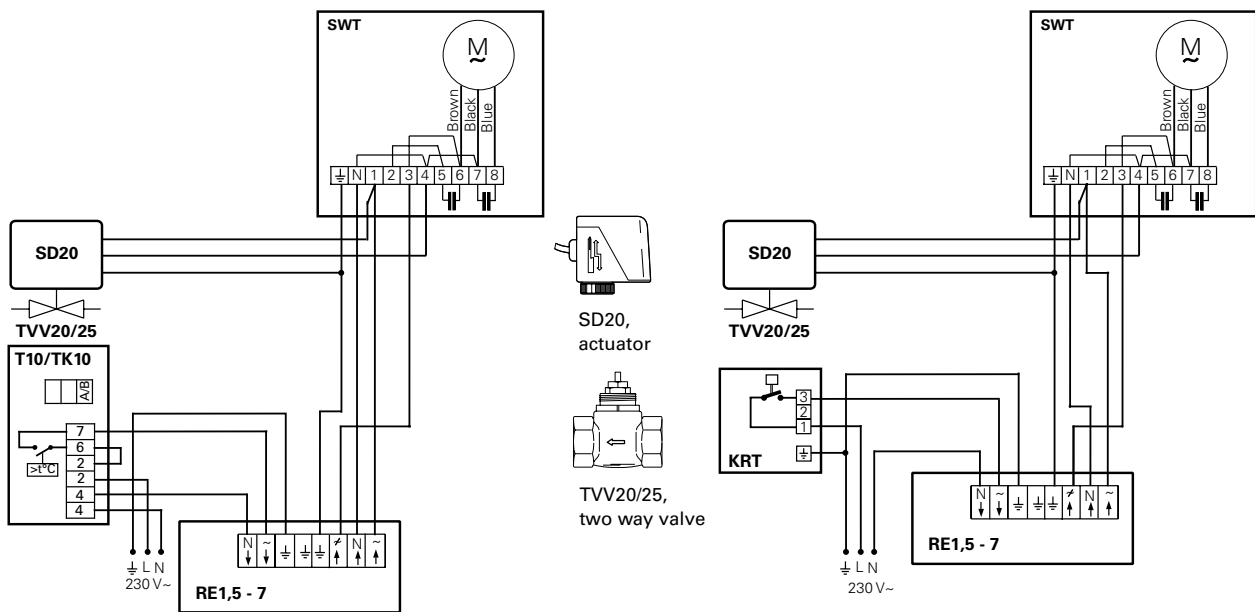


## Wiring diagrams

### 5-step control of airflow only



### Thermostat and 5-step control



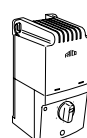
RE1,5-7,  
5-step control



T10,  
electronic  
thermostat



TK10,  
electronic  
thermostat with  
knob



RE1,5-7,  
5-step control



KRT1900,  
capillary tube  
thermostat